

YK1200X

Standard type: Large type

- Arm length 1200mm
- Maximum payload 50kg

Ordering method

YK1200X - 400 **RCX240** **R** **BB**

Model	Z axis stroke	Cable length	Controller	Usable for CE	Regenerative unit	Expansion I/O	Network option	Battery
		3L: 3.5m (Standard) 5L: 5m 10L: 10m		No entry: Standard E: CE marking	R3: RGU-2	N: P: Standard I/O 16/8 N1, P1: 40/24 N2, P2: 64/40 N3, P3: 88/56 N4, P4: 112/72	No entry: None CC: CC-Link DN: DeviceNet PB: Profibus EN: Ethernet YC: YC-Link	BB: 4 pcs



Note 1. Use N to N4 when NPN is selected on the I/O board, and P to P4 when PNP is selected.
Note 2. Available only for the master.

Specifications

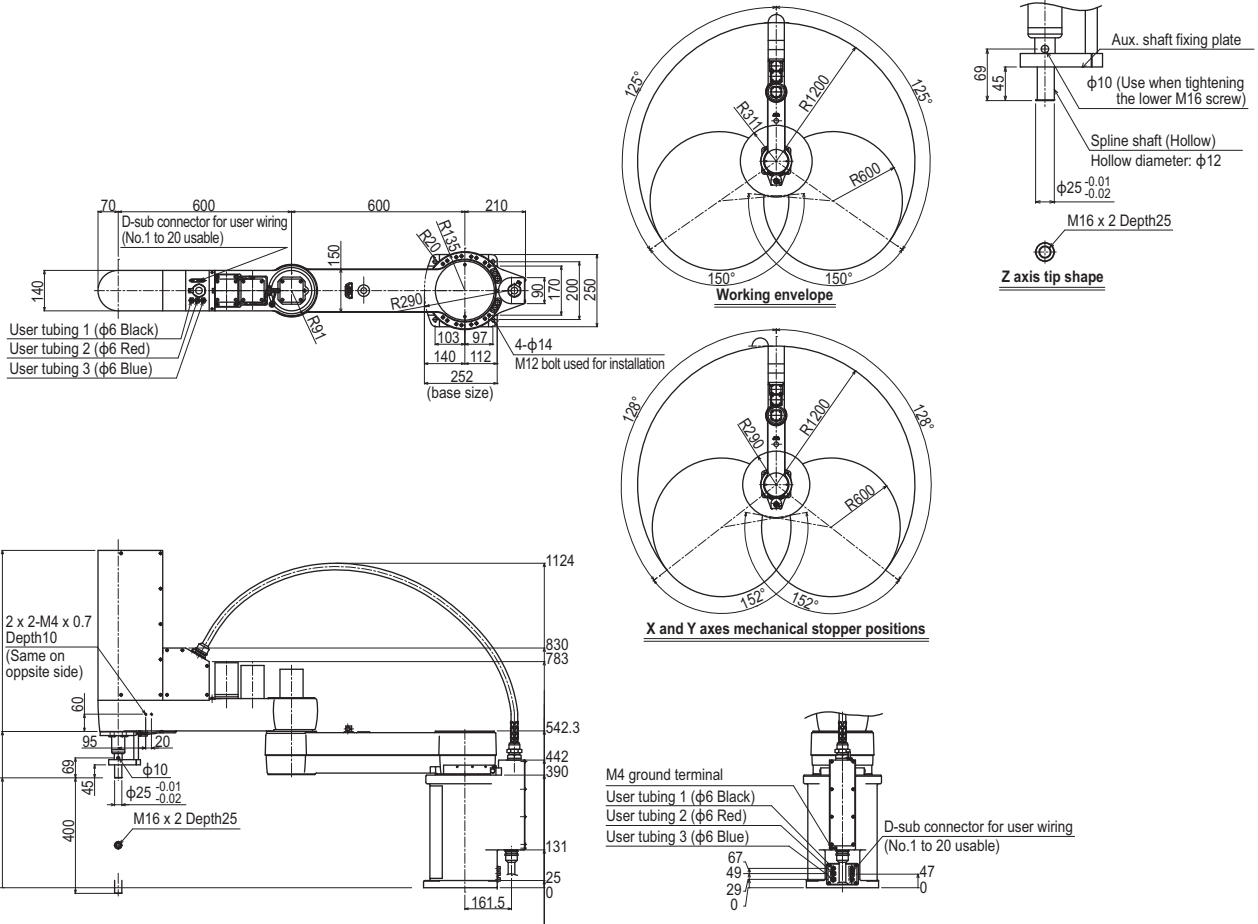
		X-axis	Y-axis	Z-axis	R-axis
Axis specifications	Arm length (mm)	600	600	400	-
	Rotation angle (°)	+/-125	+/-150	-	+/-360
AC servo motor output (W)		900	800	600	400
Deceleration mechanism	Speed reducer	Planetary gear	Planetary gear	Ball screw	Harmonic drive
	Transmission method	Motor to speed reducer	Direct-coupled	Timing belt transmission	Timing belt transmission
		Speed reducer to output	Direct-coupled	Direct-coupled	Direct-coupled
Repeatability ^{Note 1} (XYZ mm) (R °)		+/-0.05		+/-0.02	+/-0.005
Maximum speed (XYZ m/sec) (R °/sec)		7.4		0.75	600
Maximum payload (kg)		50			
Standard cycle time with 2kg payload ^{Note 2} (sec)		0.91			
R-axis tolerable moment of inertia ^{Note 3} (kgm ²)		2.45			
User wiring (sq x wires)		0.2 x 20			
User tubing (Outer diameter)		φ6 x 3			
Travel limit		1.Soft limit 2.Mechanical stopper (X,Y,Z axis)			
Robot cable length (m)		Standard: 3.5 Option: 5,10			
Weight (kg) (Excluding robot cable)		124			

Note 1. This is the value at a constant ambient temperature. (X,Y axes)
Note 2. When reciprocating 300mm in horizontal and 25mm in vertical directions.
Note 3. There are limits to acceleration coefficient settings. See P.433.

Controller

Controller	Power capacity (VA)	Operation method
RCX240-R	2500	Programming / I/O point trace / Remote command / Operation using RS-232C communication

YK1200X



Controller
RCX240 ▶ 402

285

APPLICATION
TRANSERVO
Compact single-axis robots

FLIP-X
Single-axis robots

PHASER
Linear motor single-axis robots

XY-X
Cartesian robots

YK-XG
SCARA robots

YP-X
Pick & place robots

CLEAN
CLEAN

CONTROLLER INFORMATION
Tiny
Small type
Medium type
Large type

Ceiling-mount / Inverse type
Dust-proof & drip-proof type