

# YK350XH

Standard type: Small type



- Arm length 350mm
- Maximum payload 3kg

## Ordering method

<b>YK350XH - 150</b>		<b>RCX240</b>				<b>BB</b>	
<b>Model</b>	<b>Z axis stroke</b>	<b>Cable length</b>	<b>Controller</b>	<b>Usable for CE</b>	<b>Expansion I/O</b> <small>Note 2</small>	<b>Network option</b>	<b>Battery</b>
	150: 150mm (MAX: 300mm <small>No. 1</small> )	3L: 3.5m (Standard) 5L: 5m 10L: 10m		No entry: Standard E: CE marking	N, P: Standard I/O 16/8 N1, P1: 40/24 N2, P2: 64/40 N3, P3: 88/56 N4, P4: 112/72	No entry: None CC: CC-Link DN: DeviceNet PB: Profibus EN: Ethernet YC: YC-Link <small>Note 3</small>	BB: 4 pcs

Note 1. The products with Z axis stroke of 200 mm or more are built to the order. Contact us for the delivery period, specifications, external appearance, etc.  
 Note 2. Use N to N4 when NPN is selected on the I/O board, and P to P4 when PNP is selected.  
 Note 3. Available only for the master.

## Specifications

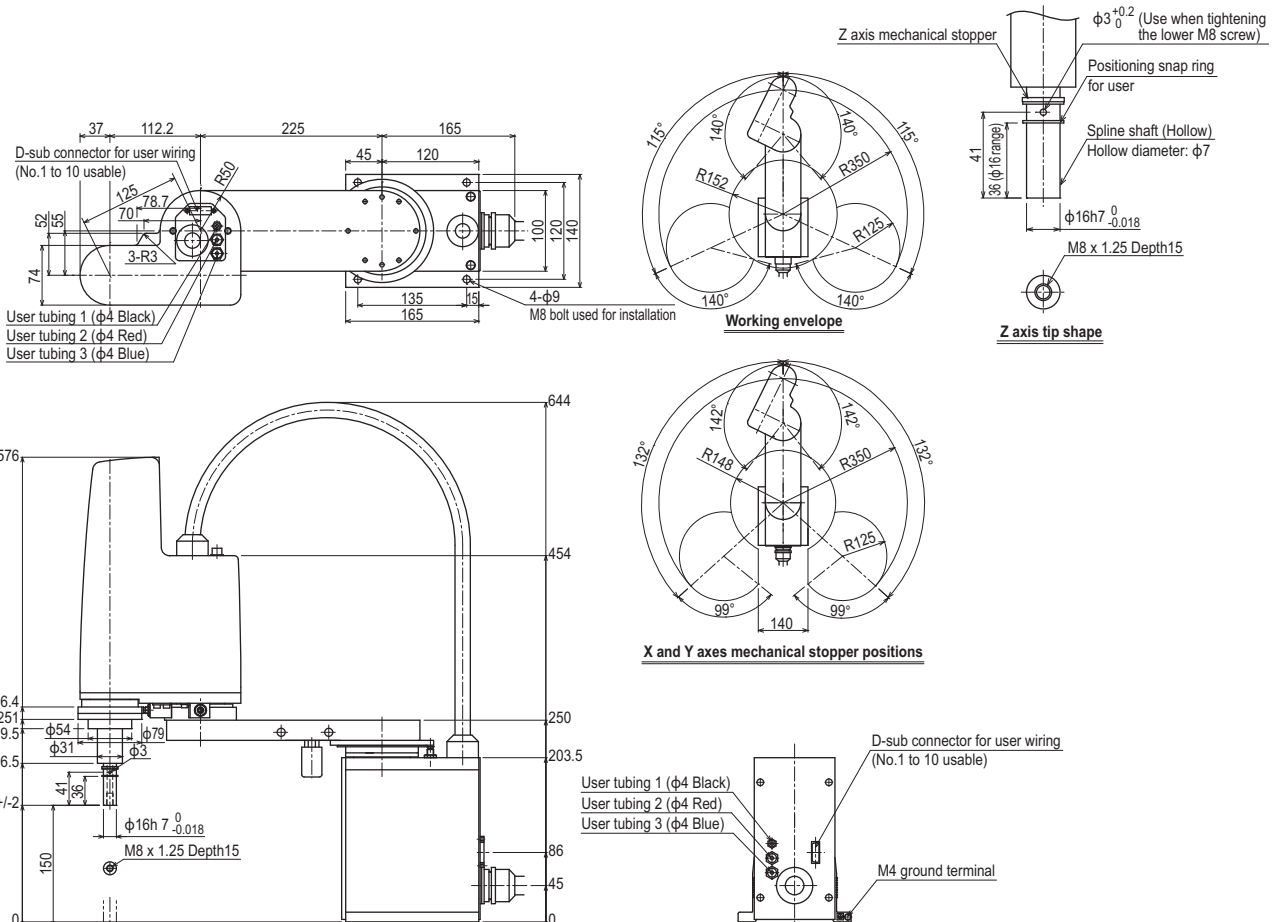
		X-axis	Y-axis	Z-axis	R-axis
<b>Axis specifications</b>	Arm length (mm)	225	125	150	-
	Rotation angle (°)	+/-115	+/-140	-	+/-360
<b>AC servo motor output (W)</b>		200	100	100	100
<b>Deceleration mechanism</b>	<b>Speed reducer</b>	Harmonic drive	Harmonic drive	Ball screw	Harmonic drive
	<b>Transmission method</b>	Direct-coupled		Timing belt transmission	Timing belt transmission
	<b>Motor to speed reducer</b> <b>Speed reducer to output</b>	Direct-coupled		Direct-coupled	Direct-coupled
<b>Repeatability</b> <small>Note 1</small> (XYZ mm) (R °)		+/-0.01		+/-0.01	+/-0.005
<b>Maximum speed</b> (XYZ m/sec) (R °/sec)		5.0		1.0	1020
<b>Maximum payload (kg)</b>				3	
<b>Standard cycle time with 2kg payload</b> <small>Note 2</small> (sec)				0.54	
<b>R-axis tolerable moment of inertia</b> <small>Note 3</small> (kgm <sup>2</sup> )				0.05	
<b>User wiring (sq × wires)</b>				0.2 × 10	
<b>User tubing (Outer diameter)</b>				φ4 × 3	
<b>Travel limit</b>		1.Soft limit 2.Mechanical stopper (X,Y,Z axis)			
<b>Robot cable length (m)</b>		Standard: 3.5 Option: 5,10			
<b>Weight (kg) (Excluding robot cable)</b>				15	

Note 1. This is the value at a constant ambient temperature. (X,Y axes)  
 Note 2. When reciprocating 300mm in horizontal and 25mm in vertical directions.  
 Note 3. There are limits to acceleration coefficient settings. See P.431.

## Controller

Controller	Power capacity (VA)	Operation method
RCX240	1000	Programming / I/O point trace / Remote command / Operation using RS-232C communication

## YK350XH



- APPLICATION
- TRANSSERO
- FLIP-X
- PHASER
- XY-X
- YK-XG
- YP-X
- CLEAN
- CONTROLLER INFORMATION
- Trimy
- Small type
- Medium type
- Large type
- Ceiling-mount / Inverse type
- Dust-proof & drip-proof type