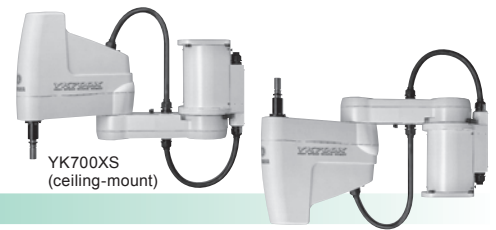


# YK700XS

Ceiling-mount / inverse type

- Arm length 700mm
- Maximum payload 20kg

Note. Built-to-order product.  
Contact us for the delivery period.



YK700XS  
(ceiling-mount)

YK700XS  
(inverse ceiling-mount)

## Ordering method

<b>YK700XS</b>				<b>RCX240</b>		<b>R</b>			<b>BB</b>
<b>Model</b>	<b>Installation method</b> <sup>Note 1</sup> N: Ceiling-mount (same as per external view) J: Inverse ceiling-mount (upside down)	<b>Z axis stroke</b> 200: 200mm 400: 400mm	<b>Cable length</b> 3L: 3.5m (Standard) 5L: 5m 10L: 10m	<b>Controller</b>	<b>Usable for CE</b> No entry: Standard E: CE marking	<b>Regenerative unit</b> R: RGU-2	<b>Expansion I/O</b> <sup>Note 2</sup> N, P: Standard I/O 16/8 N1, P1: 40/24 N2, P2: 64/40 N3, P3: 88/56 N4, P4: 112/72	<b>Network option</b> No entry: None CC: CC-Link DN: DeviceNet PB: Profibus EN: Ethernet YC: YC-Link <sup>Note 3</sup>	<b>Battery</b> BB: 4 pcs

- Note 1. When installing the robot, always follow the specifications.  
Do not install the ceiling-mount robot upside down or do not install the inverse type robot to a ceiling.  
Incorrect installation can cause trouble or malfunction.
- Note 2. Use N to N4 when NPN is selected on the I/O board, and P to P4 when PNP is selected.
- Note 3. Available only for the master.  
See P.039 for details on YC-Link system.

## Specifications

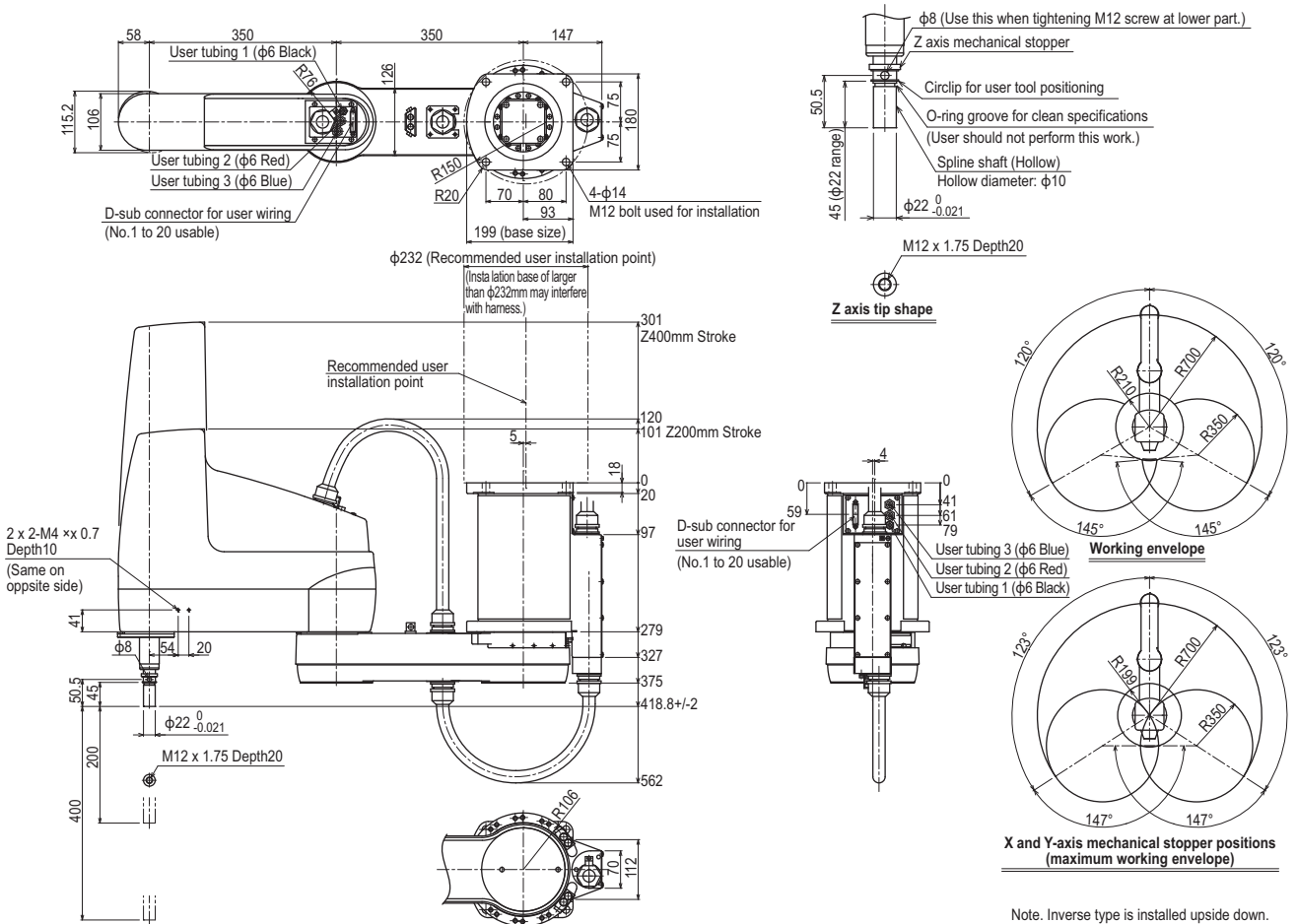
		X-axis	Y-axis	Z-axis	R-axis
<b>Axis specifications</b>	Arm length (mm)	350	350	200   400	-
	Rotation angle (°)	+/-120	+/-145	-	+/-360
<b>AC servo motor output (W)</b>		800	400	400	200
<b>Deceleration mechanism</b>	Speed reducer	Harmonic drive	Harmonic drive	Ball screw	Harmonic drive
	Transmission method	Direct-coupled		Timing belt transmission	Timing belt transmission
Motor to speed reducer		Direct-coupled		Direct-coupled	Direct-coupled
Speed reducer to output		Direct-coupled		Direct-coupled	Direct-coupled
<b>Repeatability</b> <sup>Note 1</sup> (XYZ mm) (R °)		+/-0.02		+/-0.01	+/-0.005
<b>Maximum speed</b> (XYZ m/sec) (R °/sec)		6.7		1.7	600
<b>Maximum payload (kg)</b>		20			
<b>Standard cycle time with 2kg payload</b> <sup>Note 2</sup> (sec)		0.57			
<b>R-axis tolerable moment of inertia</b> <sup>Note 3</sup> (kgm <sup>2</sup> )		0.32			
<b>User wiring (sq x wires)</b>		0.2 x 20			
<b>User tubing (Outer diameter)</b>		φ6 x 3			
<b>Travel limit</b>		1.Soft limit 2.Mechanical stopper (X,Y,Z axis)			
<b>Robot cable length (m)</b>		Standard: 3.5 Option: 5,10			
<b>Weight (kg) (Excluding robot cable)</b>		56			

- Note 1. This is the value at a constant ambient temperature. (X,Y axes)  
Note 2. There are limits to acceleration coefficient settings.

## Controller

Controller	Power capacity (VA)	Operation method
RCX240-R	2000	Programming / I/O point trace / Remote command / Operation using RS-232C communication

## YK700XS



Note. Inverse type is installed upside down.